

Mini Foam Grippers MPX



Mini Foam Grippers MPX



Introduction and application

- ◆ Built-in vacuum generator, alumina body, foam wear
- ◆ Small size, easy installation and good adsorption stability

Ordering Data Mini Foam Grippers MPX

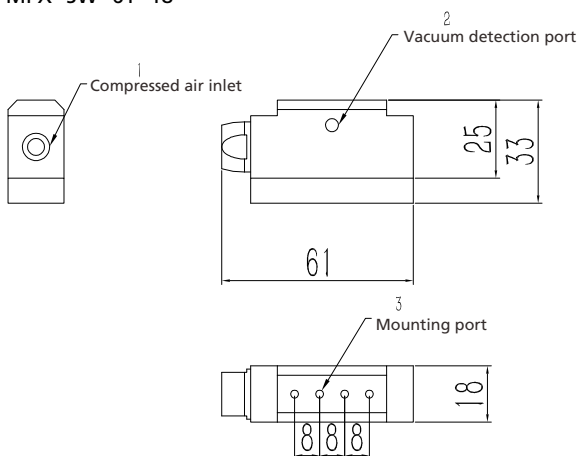
Type	Ordering Data
MPX-SW-61-18	90.10.01.00093
MPX-SW-111-18	90.10.01.00102

Technical Data Mini Foam Grippers MPX

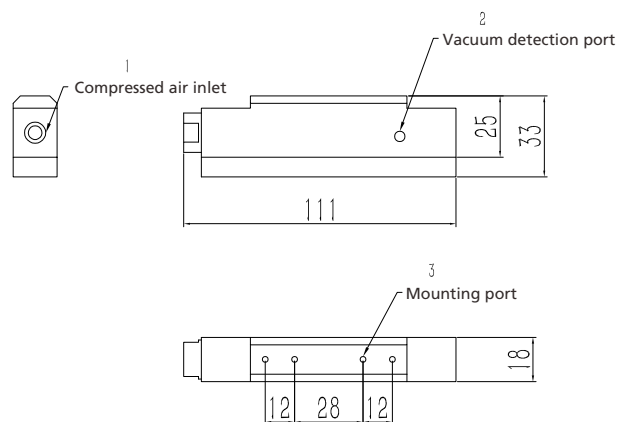
Type	Maximum vacuum [%]	Maximum suction capacity [l/min]	Air consumption [l/min]	Work pressure	Suction force [N]	Weight [kg]	Operating temperature
MPX-SW-61-18	88	45	36	5	6.2	0.1	-10~80
MPX-SW-111-18	88	86	36	5	15.7	0.2	-10~80

Design Data Mini Foam Grippers MPX

MPX-SW-61-18



MPX-SW-111-18



Type	Dimensions[mm]		
MPX-SW-61-18	1 G1/8	2 M5	3 M3
MPX-SW-111-18	1 G1/8	2 M5	3 M3

Combined Suction Cups

Vacuum Suction Cups

Composite Suction Cups

Special Grippers

Vacuum Gripping Systems

Mounting Elements

Vacuum Generators

Valve Technology

Switch And Monitoring

Vacuum Filters